

# AURSP33 Joysticks



Designed for remote proportional control of hydraulic and electric drives of road construction machinery.

## Key features:

- combination of handle (manipulator) and electronic module;
- up to three function buttons on the joystick top;
- joystick modifications with a sensor of operator's hand on the control handle;
- digital interface-universal supply voltage 12/24V;
- joystick modifications with a status indicator.

## Model designation

**AURSP33.1-2000**

Batch

Interface type:

1 – RBus;  
2 – CAN.

Operator's hand sensor:

1 – installed;  
2 – not installed.

Design of front panel and operation algorithm of its controls

Number of joysticks connected to one communication line:

0 – 2;  
1 – 4.

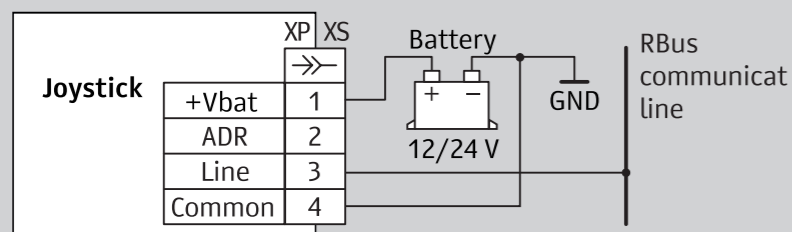
### Main specifications

Parameter	Value
Handle deflection from neutral position	25±3°
Neutral position area	max. 4°
Maximum force of handle deflection: – in basic directions – in multiple operations	10 N 15 N
Interface	CAN, RBus
Wear resistance	at least 70,000 deflections
Power supply voltage	10 ... 32 V
Operating temperature range	–40 ... +55 °C
IP rating (as per GOST14254-96)	IP52
Allowed vibratory loads: – maximum acceleration – within the frequency range	50 m/s <sup>2</sup> 250...250 Hz
Allowed impact loads	up to 100 m/s <sup>2</sup>
Weight	up to 1.5 kg

### Wiring schemes

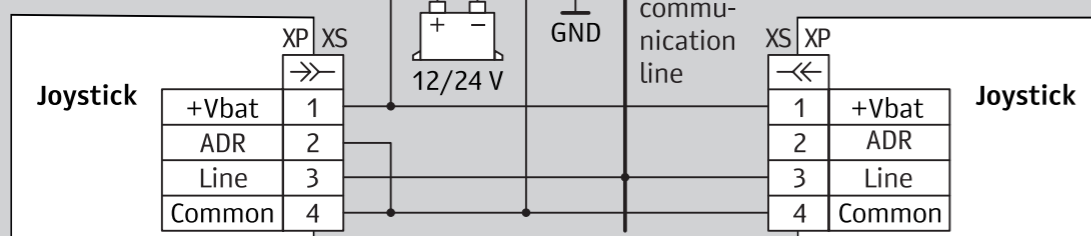
#### AURSP33.1-X0XX — one-panel wiring scheme

Primary panel

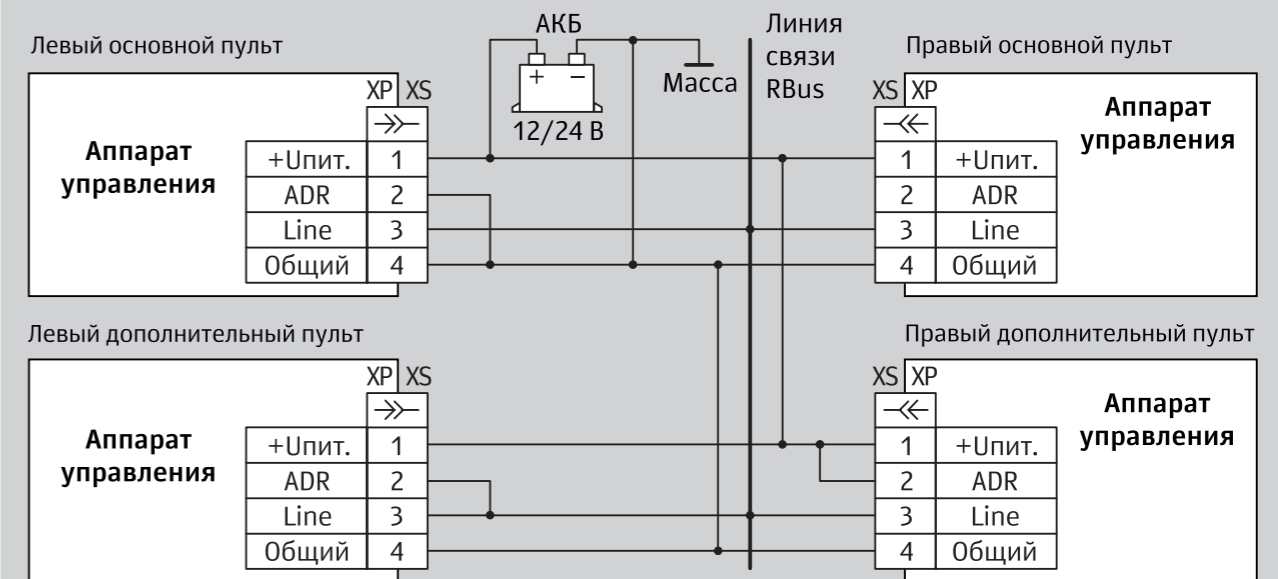


#### AURSP33.1-X0XX — two-panel wiring scheme

Left panel

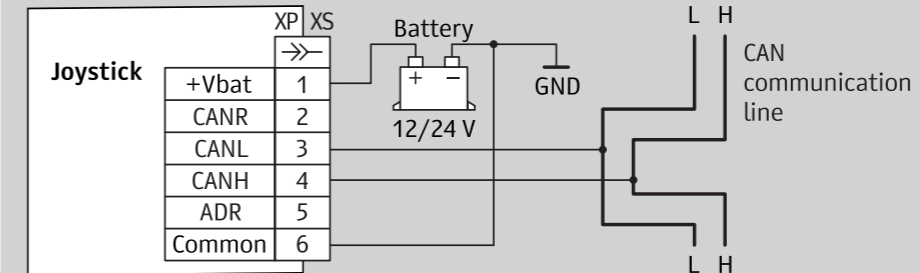


#### AURSP33.1-X1XX — four-panel wiring scheme



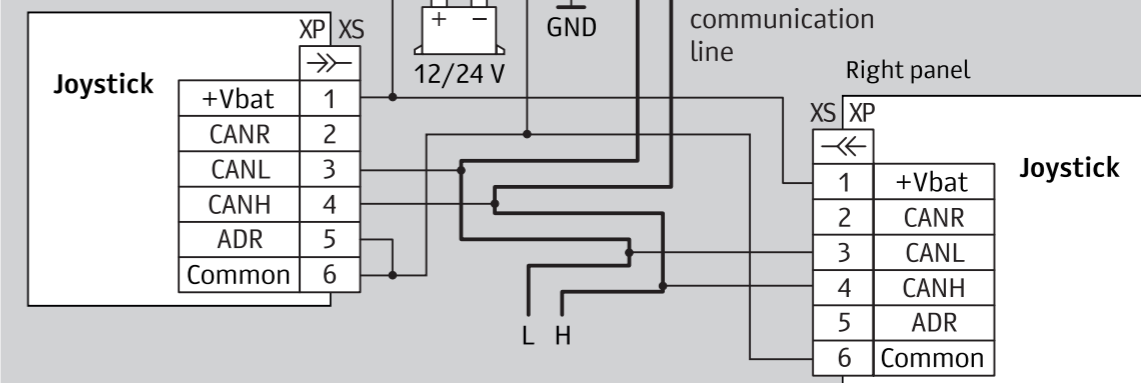
#### AURSP33.2-X0XX — one-panel wiring scheme

Primary panel



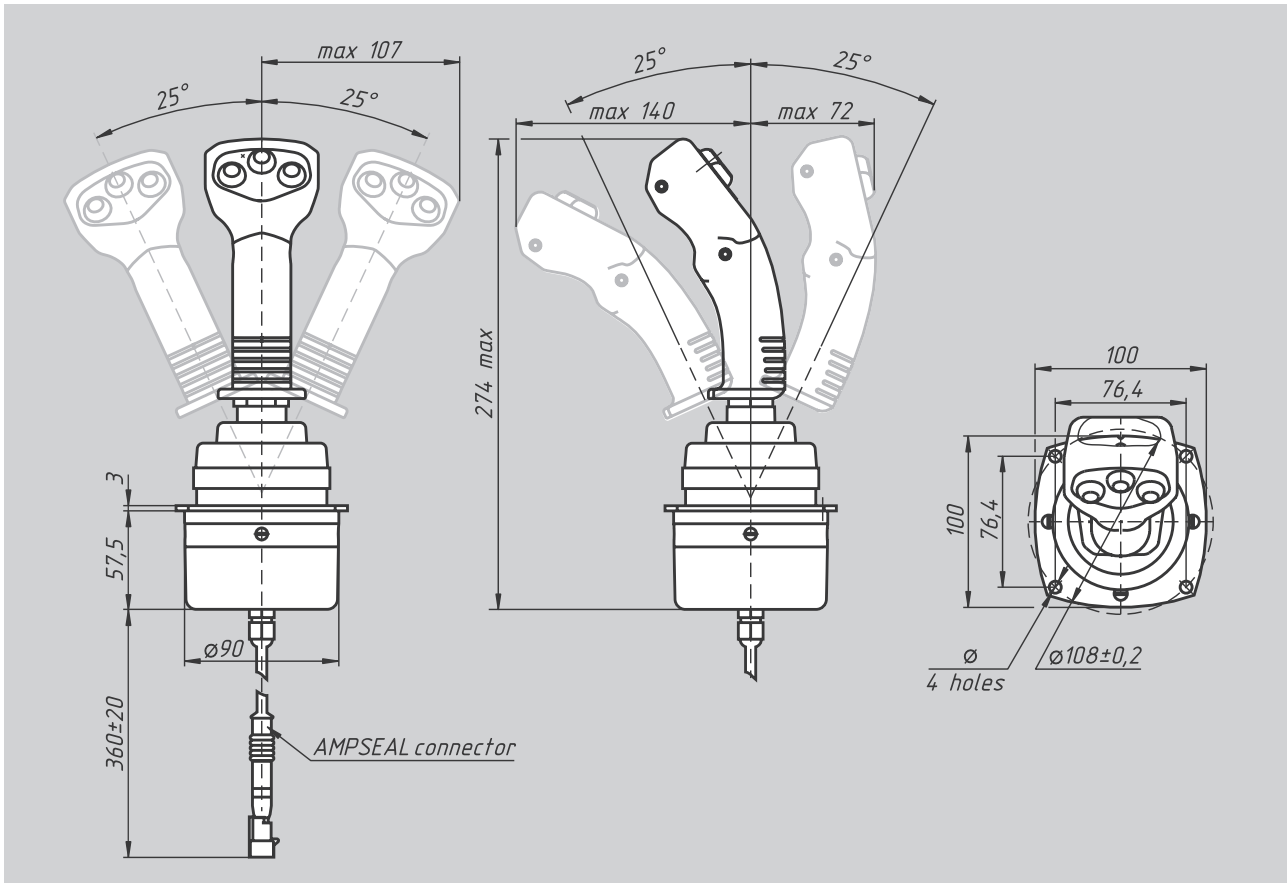
#### AURSP33.2-X0XX — two-panel wiring scheme

Left panel

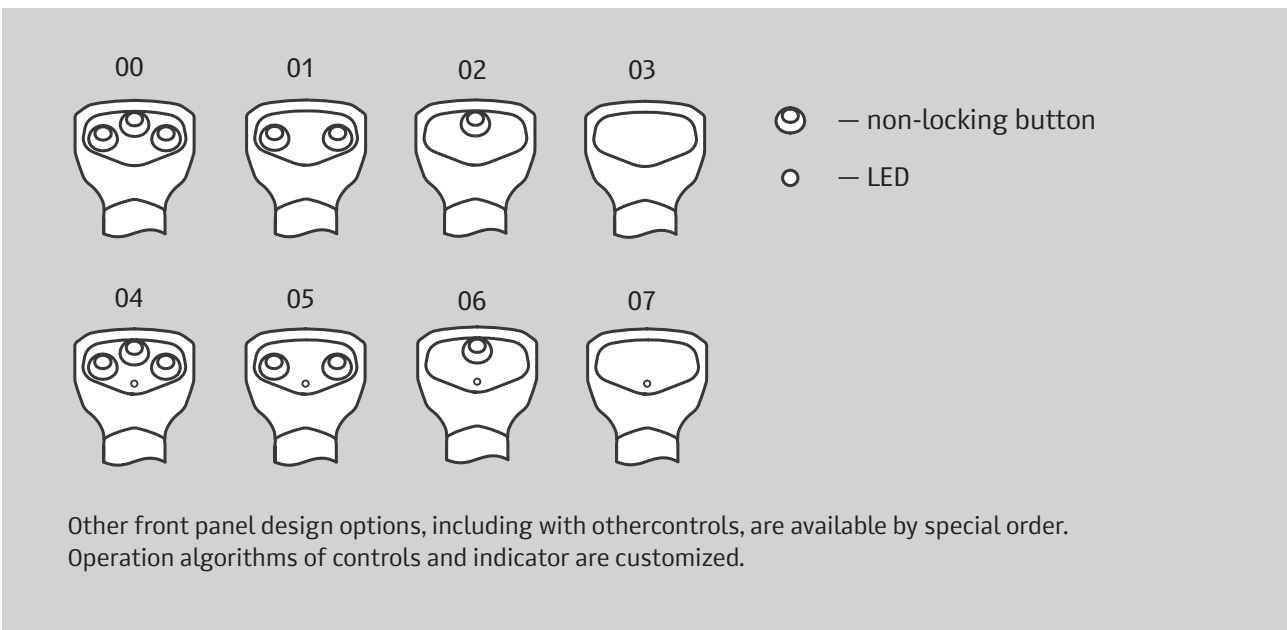


«X» may have any value

## Overall and mounting dimensions



## Front panel options



## REZONANS

Tel./fax: +7(351) 7313000, 2544577  
 ul. Mashinostroiteley, 10B, Chelyabinsk, 454119  
 rez@rez.ru, www.rez.ru

Monitoring, protection and control systems for mobile applications, sensors, wireless devices, joysticks, display consoles and indicators, voltage converters, relays and regulators.