






Display Consoles

BI06, BI04, BI08

Display information in the electronic control and safety systems.

Main specifications

Parameter	Value		
			
	BI06	BI04	BI08
Graphic display – type and format – size – resolution – number of colors displayed	graphic LCD display (50x28 mm) 2,2" 128x64 two-color	graphic LCD TFT, 16:9 (152,4 × 91,4 mm) 7" 800×480 262114	graphic LCD TFT, 16:9 (222,7× 1253,3mm) 10" 1024×600 262114
Serial communication interfaces	RBus	CAN RBus	CAN RBus ETHERNET
Controls	3 buttons, two-position switch	6 backlit buttons, two-position switch	
Audible alarm	dynamic driver on the rear panel		
Power supply voltage	8...32 V		
Electrical connection	4+6 pin connector	20 pin connector	
Power consumption	3.5 W	16 W	
Temperature range – operating – limit		–40...+55°C –50...+65°C	
IP rating (as per GOST 14254)	IP56		
Allowed vibratory loads – maximum acceleration – within the frequency range		50 m/s ² 50...200 Hz	
Allowed impact loads		10 m/s ²	
Dimensions	98 × 64 × 75 mm	178 × 132 × 27 mm	241 × 206 × 35 mm
Options	–	skylog	
Reading interface		USB 2.0	
Weight	up to 0.5 kg	up to 0.45 kg	up to 1.2 kg

BI06 Operator Console

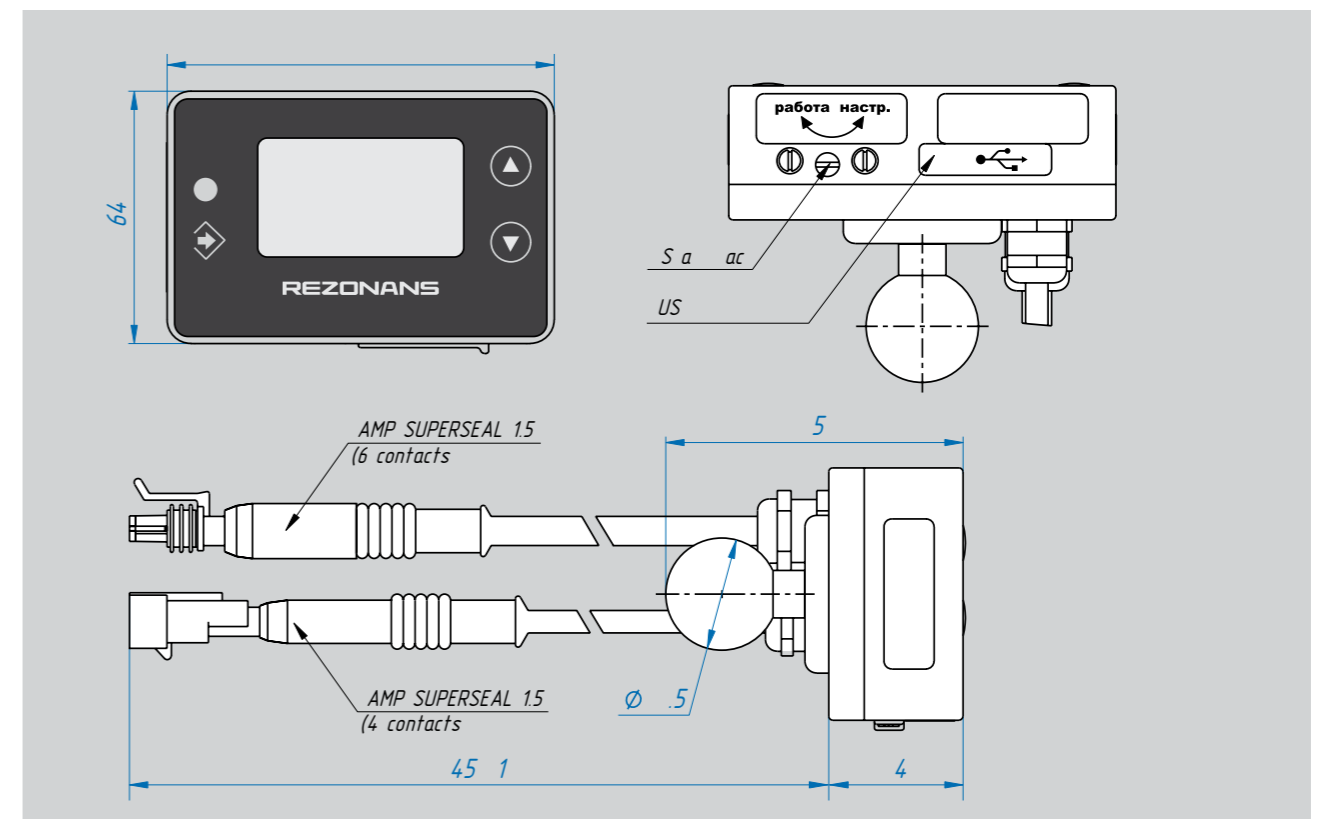
BI06.2 Display Console is used to display information and to generate control signals in the electronic control and protection systems of road construction machinery. Has serial communication interface USB 2.0 for reading of information from the integrated datalogger via USB Flash Drive.



Key features:

- graphic LCD display enabling information reading at any ambient light level
- universal bracket mounting
- integrated datalogger
- space-saving aluminum housing.

Overall and mounting dimensions



Model	Memory	Interface
	64 K6	RBus
BI06	✓	✓

BI04 Display Console

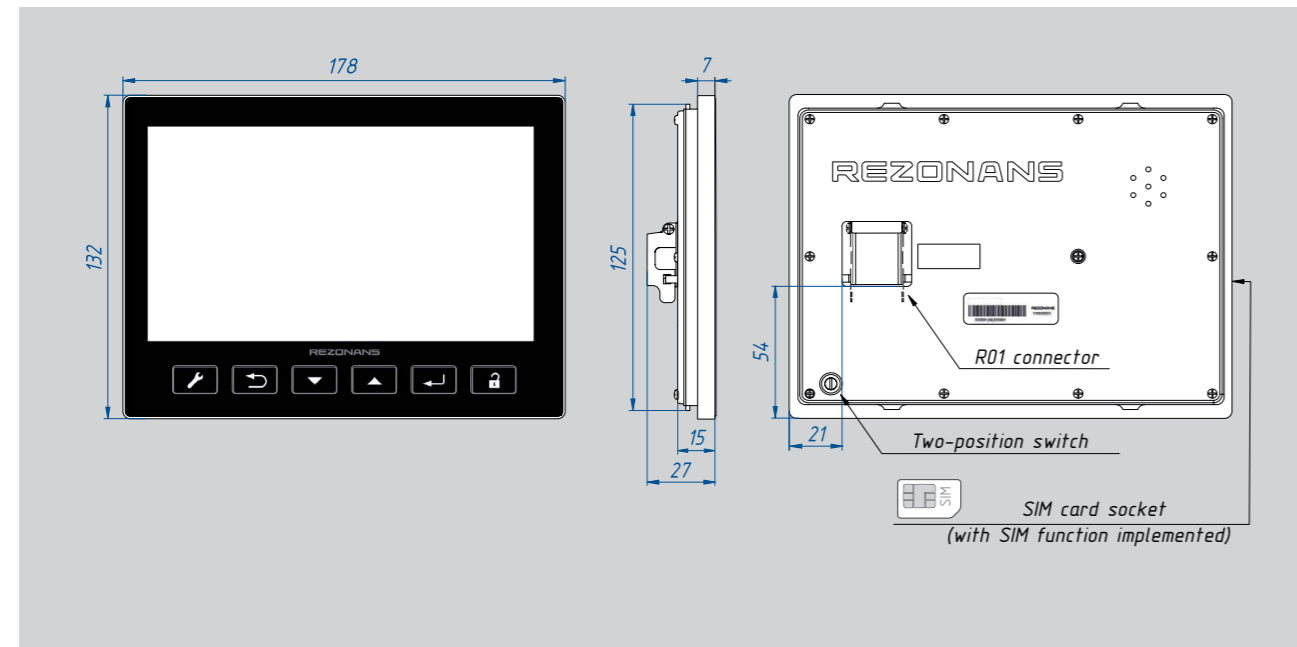


Has a graphic TFT display 7" with 262114 colors and a set of wired interfaces (CAN, USB, RBus). The console has 6 buttons to support interactive communication with an operator. Their functions are programmed depending on the vehicle and console operating mode. Has serial communication interface USB 2.0 for reading of information from the integrated datalogger via USB Flash Drive.

Key features:

- graphic high clear high-resolution display
- powerful 32-bit processor
- backlit buttons
- hardened glass resistant to mechanical damage
- accessories for recessed mounting or swing bracket mounting.

Overall and mounting dimensions



Model	Memory		Interface		
	512 K6	1M6	RBus	CAN	Skylog
BI04.70	✓		✓		
BI04.70-1M		✓	✓		
BI04.70-CAN-1M		✓		✓	
BI04.70-SIM-1M		✓	✓		✓
BI04.70-SIM-1M-C		✓		✓	✓

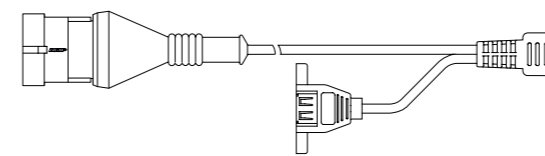
Display console accessories and options



Accessory for BI04 swing bracket mounting

Order number – 100-1892

For BI04 Operator Console swing bracket mounting.



Harness 402

Order number – 100-2366

Used when mounting BI04.70 Display Console on swing bracket to connect flash drives (USB port), units and sensors of control and monitoring systems (4-pin AMP SuperSeal 1.5 connector).



Accessory for BI04 panel mounting

Order number – 100-3845

For BI04 Display Console panel mounting.



SkyLog web service is used for remote monitoring and control of lifting devices.

BI08 Operator Console

Has a graphic TFT display 10" with 262114 colors and a set of wired interfaces (CAN, USB, RBus, Ethernet).

The console has 6 buttons to support interactive communication with an operator. Their functions are programmed depending on the vehicle and console operating mode.

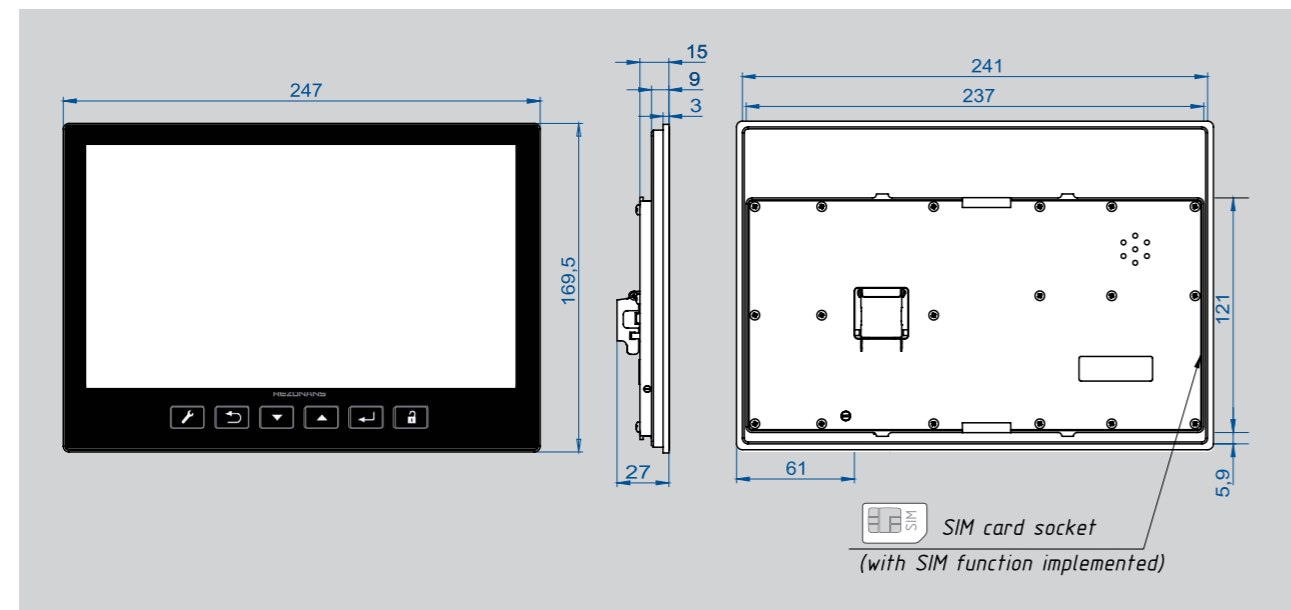
Has serial communication interface USB 2.0 for reading of information from the integrated datalogger via USB Flash Drive.



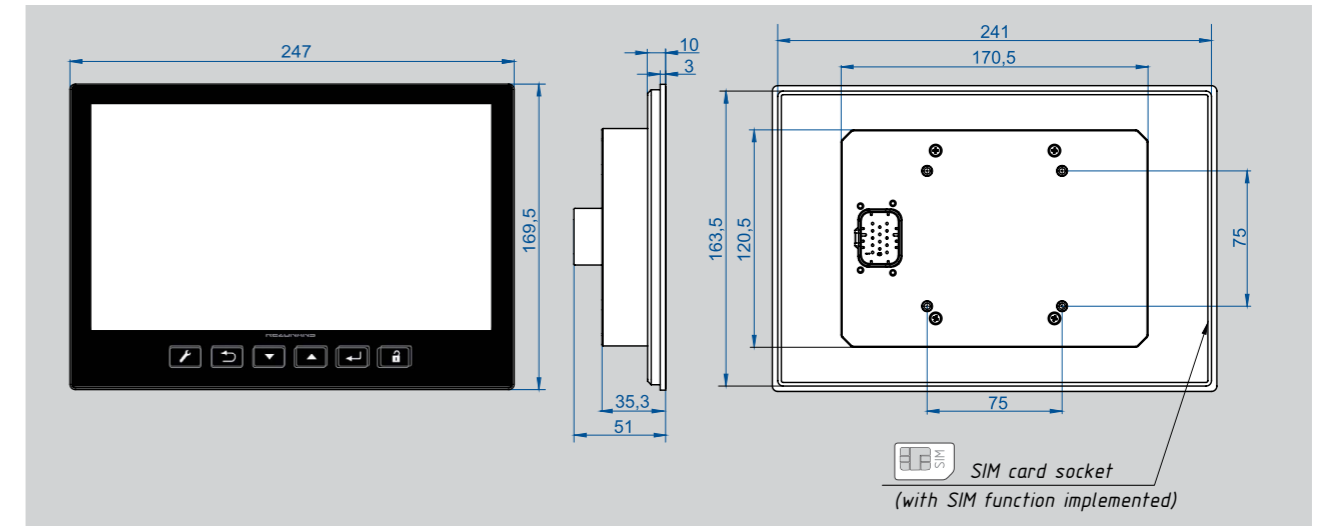
Key features:

- graphic high clear high-resolution display
- powerful 32-bit processor
- backlit buttons
- hardened glass resistant to mechanical damage

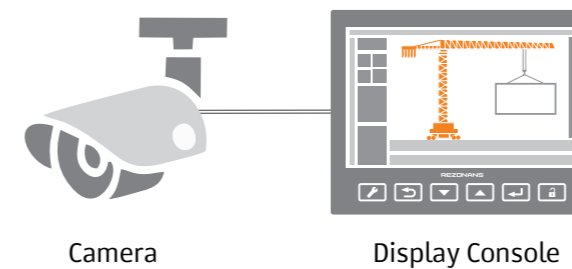
Overall and mounting dimensions of BI08.70



Overall and mounting dimensions for BI08.80



Model	Memory		Interface			
	1M6	256 MБ	RBus	CAN	Skylog	Ethernet
BI08.70	✓		✓			
BI08.70-CAN	✓			✓		
BI08.70-SIM	✓		✓		✓	
BI08.70-SIM-CAN	✓			✓	✓	
BI08.80		✓	✓			✓
BI08.80-CAN		✓		✓		✓
BI08.80-SIM		✓	✓		✓	✓
BI08.80-SIM-CAN		✓		✓	✓	✓



For Ethernet modification



SkyLog web service is used for remote monitoring and control of lifting devices.

OOO Scientific and Production Enterprise Rezonans

Tel./fax: +7 (351) 254 45 77, 731 30 00

ul. Mashinostroiteley, 10B

Chelyabinsk, 454119

rez@rez.ru, www.rez.ru