

# Pressure transducer TKN series



Pressure transducer TKN series provides measurement to excessive pressure in the range 0–1000 atm. liquid and gasiform naggressive environment in control and regulation systems, used in mechanical engineering, instrument engineering as well as another branch.

## Features:

- permanent to corrosive medium (because working parts,
- made of stainless steel),
- high stability and reliability reading,
- high stability to triple overload pressure,
- modification whith current and digital output signal,
- hermetic steel housing.

## Ordering Code

# TKN25–T132–3

Series title

Upper-range value (Mpa)

### Signal output:

E – voltage signal  
T – current signal  
P – digital interface

### Interface:

For current signal:

1 – 4–20 mA  
2 – 0–20 mA

For voltage signal:

1 – 0,5–4,5 V  
2 – 0–5 V

For digital interface:

1 – RBus  
2 – CANopen

Additional customer options (might be missing)

### Pipe connection

1 – M22×1,5 (IEC 22525-77)  
2 – G 1/4» (DIN 3852-E)  
3 – K 1/8» (IEC 6111-52, NPT 1/8»)  
4 – K 1/4» (IEC 6111-52, NPT 1/4»)  
5 – M10×1  
6 – M20×1,5 – 6 g

### Electrical Connection:

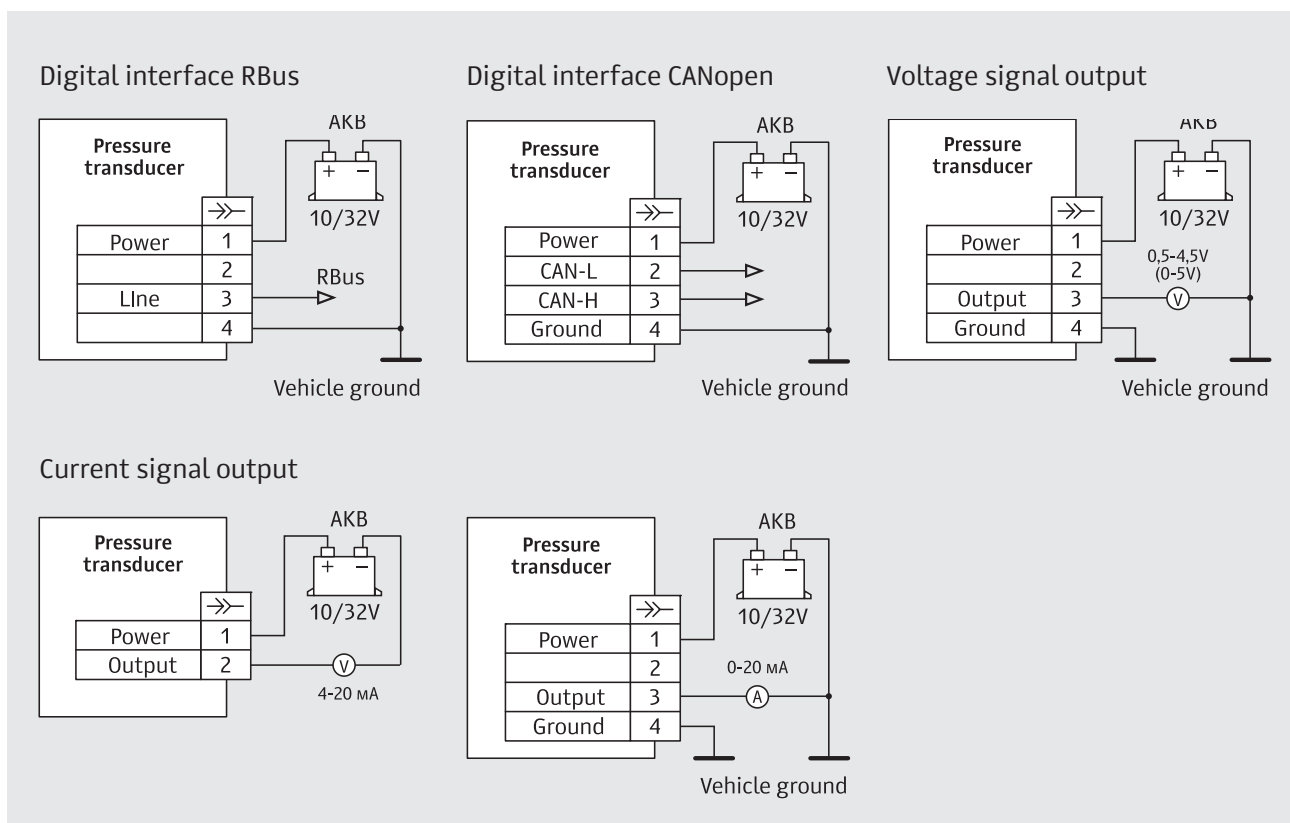
0 – without connector  
1 – AMP Superseal plug 1.5 (4 contacts)  
2 – 2PM 14BPN4H1V1 plug  
3 – M12×1 plug (4 contacts)  
4 – SNC-42-10/10V-1-V plug GEO.364.245 TU  
5 – AMP Superseal plug 1.5 (2 contacts)



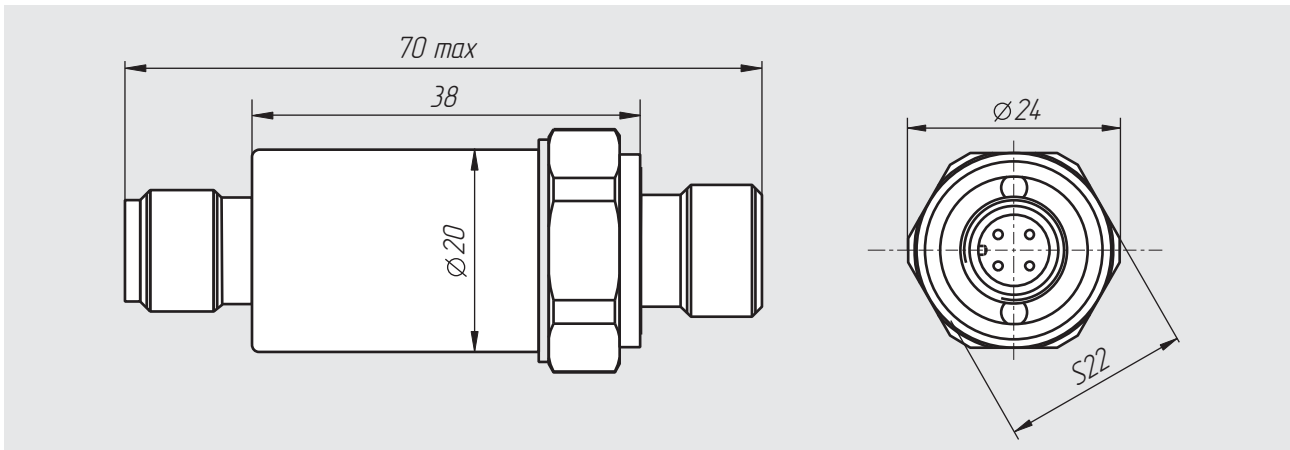
## Technical data

Parameter	Value
Measuring range	to 100 Mpa
Main measuring accuracy	
– converter with current signal	0,5%
– converter with digital interface	0,2%
Complementary temperature error at every 10°C	0,08%
Sability to pressure overload	threefold, any more 140 Mpa
Supply voltage	10–32 V
Temperature range	
– operation	–40 to +55 °C
– storage	–50 to +65 °C
– measurand environment	–40 to +95 °C
Protection class (to IEC 14254-96)	IP67
Vibration resistance:	
– peak acceleration	<50 m/sec <sup>2</sup> (at 0...250 Hz)
Impact resistance	150 m/sec <sup>2</sup>
Dimensions	70×24 mm
Weight	approx. 0,3 kg

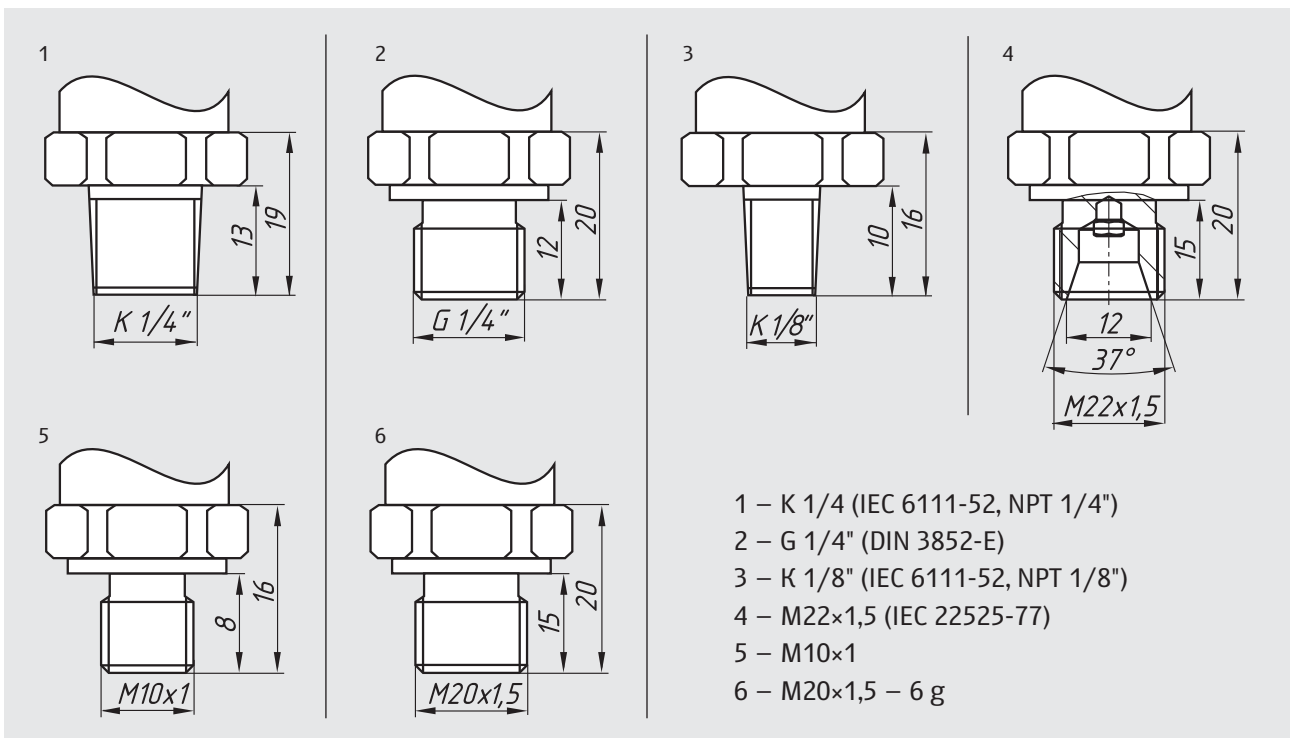
## Connection Scheme



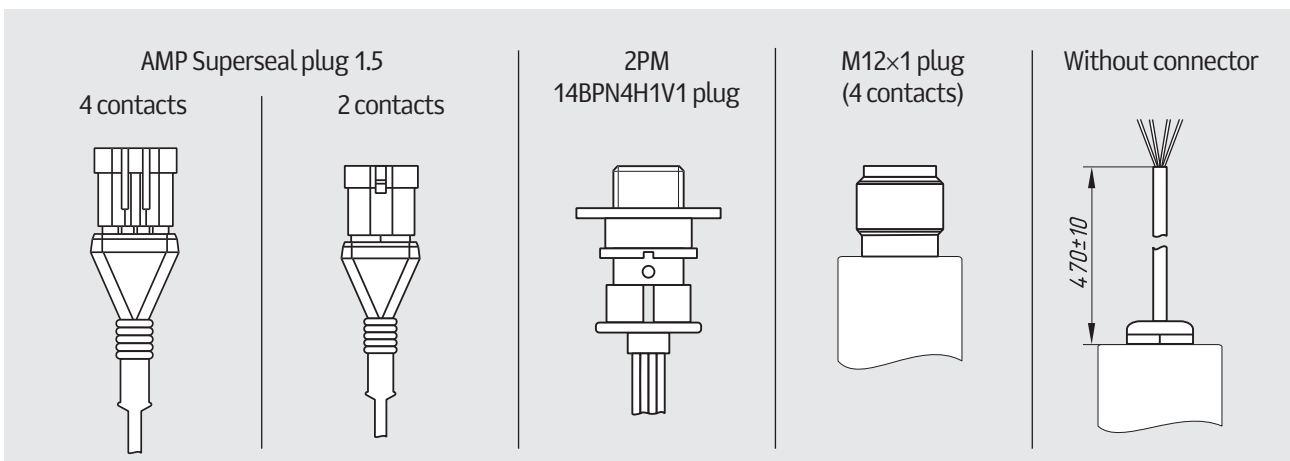
Dimensions [mm]



Variants of implementation of the connection adapter



Variants of electrical connection



Rezonans plc.  
Phone/fax: +7 351 731-30-00  
10-b, Mashinostroiteley Street,  
Chelyabinsk, 454119, Russia  
[www.rezonans-tech.com](http://www.rezonans-tech.com), [rez@rez.ru](mailto:rez@rez.ru)

## Products:

Electronic Control Systems

Rated Capacity Indicators

Sensors

Joysticks

Instruments clusters and gauges

Voltage Changers

Relay