

Steering columns

Designed for special mechanical wheeled vehicles (tractors, harvesters, road-building machines, heavy trucks).

Key features:

- ABS plastic coating;
- slope regulation;
- customer selectable connectors: AMP CPC series 2 and 3, Schlemmer or Autocontact;
- output splined shaft conforming to GOST 6033-80 20x1.5875x9g;
- harness and wiring along with other components form a complete reliable design ready for operation without additional modifications.

Advantages:

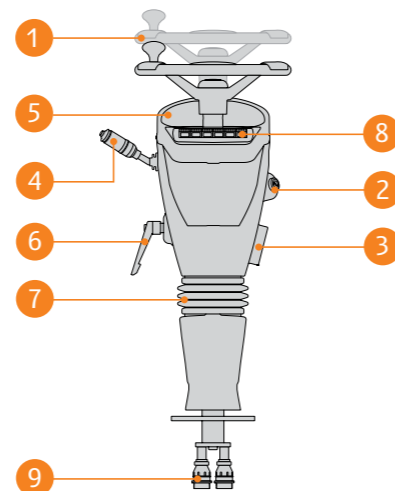
- modern look of dashboard and controls;
- well-designed and useful interface of dashboard;
- information on the monitored parameters is displayed on embedded 7- or 8-inch or on standalone 10-inch colour LCD display instead of a set of individual devices;
- steering column is connected to electrical system by means of two quick-coupled connectors in a sealed design;
- steering column is a part of hydraulic steering;
- actuating force at a steering wheel is fully determined by the set parameters of hydraulic system of the unit;
- simple and reliable slope and height regulation unit of steering column that does not require to use any regulation tools;
- completeness of steering column eliminates the need to install instrument panel, switching elements and protection of electrical circuits on the unit.

Technical characteristics

Parameter	Value		
	KR101	KR104	KR106
Power supply voltage	24 V		
Height regulation	80 mm		
Slope regulation	from 0° to 21°	from -7° to 21°	from 0° to 30°
Temperature range:			
- operating temperatures:	from -40°C to +55°C		
- limiting temperatures:	from -50°C to +60°C		
Number of discrete inputs (operating mode indicators and alarms)	25		
Protection degree from external impact according to GOST 14254-96	IP20		
Number of analogue inputs (temperature sensors, pressure sensors, level sensors)	6		
Number of CAN interfaces	1		
Weight	16 kg (max)	15 kg (max)	12 kg (max)

Standard list of equipment

1. steering wheel,
2. ignition lock and keys,
3. fuse box,
4. multi-position switch under steering wheel,
5. programmable dashboard (display),
6. steering wheel span and slope regulation unit,
7. height regulation unit,
8. key switches,
9. connectors.



Dashboard

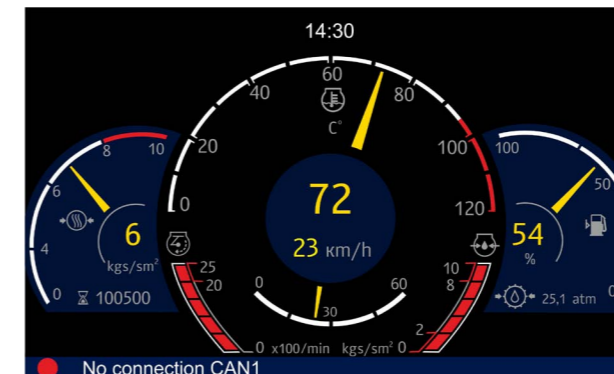
Ability to use both analogue instruments and digital graphic panel.



- embedded recorder;
- ability to choose one of the available configurations of the main screen;
- ability to measure and display up to 40 analogue and discrete signals (including signals from resistive inputs, current inputs and voltage inputs);
- embedded accumulated hour meter and odometer;
- fast software update from USB flash;
- colour LCD display;
- reading information from CAN bus (engine parameters, gearbox and other devices);
- embedded real time clock;
- a number of settings access levels protected by passwords.

Ability to change main screen configuration using View menu item. The first configuration is used by default.

Main screen:



Displayed parameters: pneumatic system pressure, cooling fluid temperature, fuel level.

Additional screen:

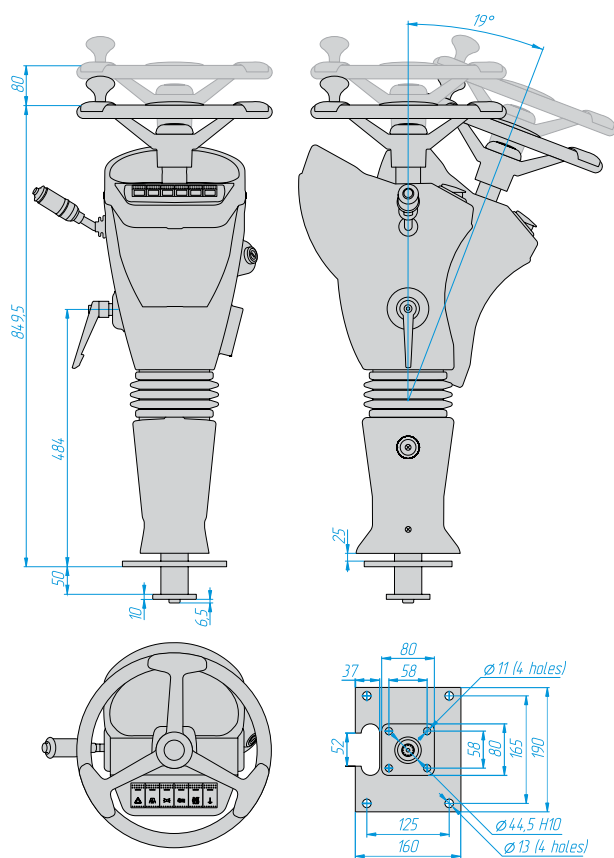


Displayed parameters: cooling fluid temperature, engine speed, vehicle speed.

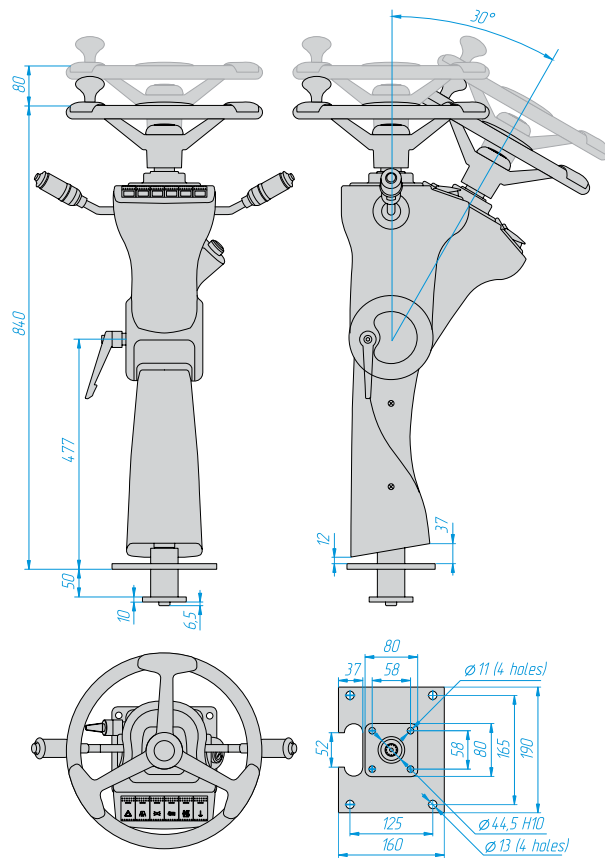


Basic dimensions

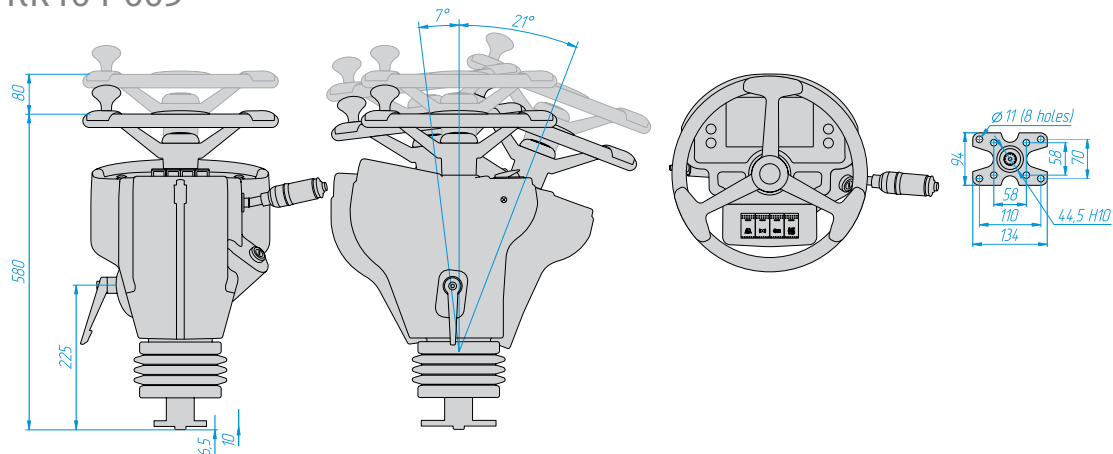
KR101-003.2



KR106-003



KR104-003



REZONANS

Tel./fax: +7 (351) 731-30-00, +7 (351) 254-45-77
 10B ul. Mashinostroiteley, Chelyabinsk 454119
 rez@rez.ru, www.rez.ru

TO-18-18072-181122-EN

Control and protection systems for mobile machines, sensors, wireless devices, joysticks, dashboards and indicators, voltage converters, relays and regulating relays.